

FM IF Amplifier with Demodulator

S 041 P
S 041 E

Bipolar circuit

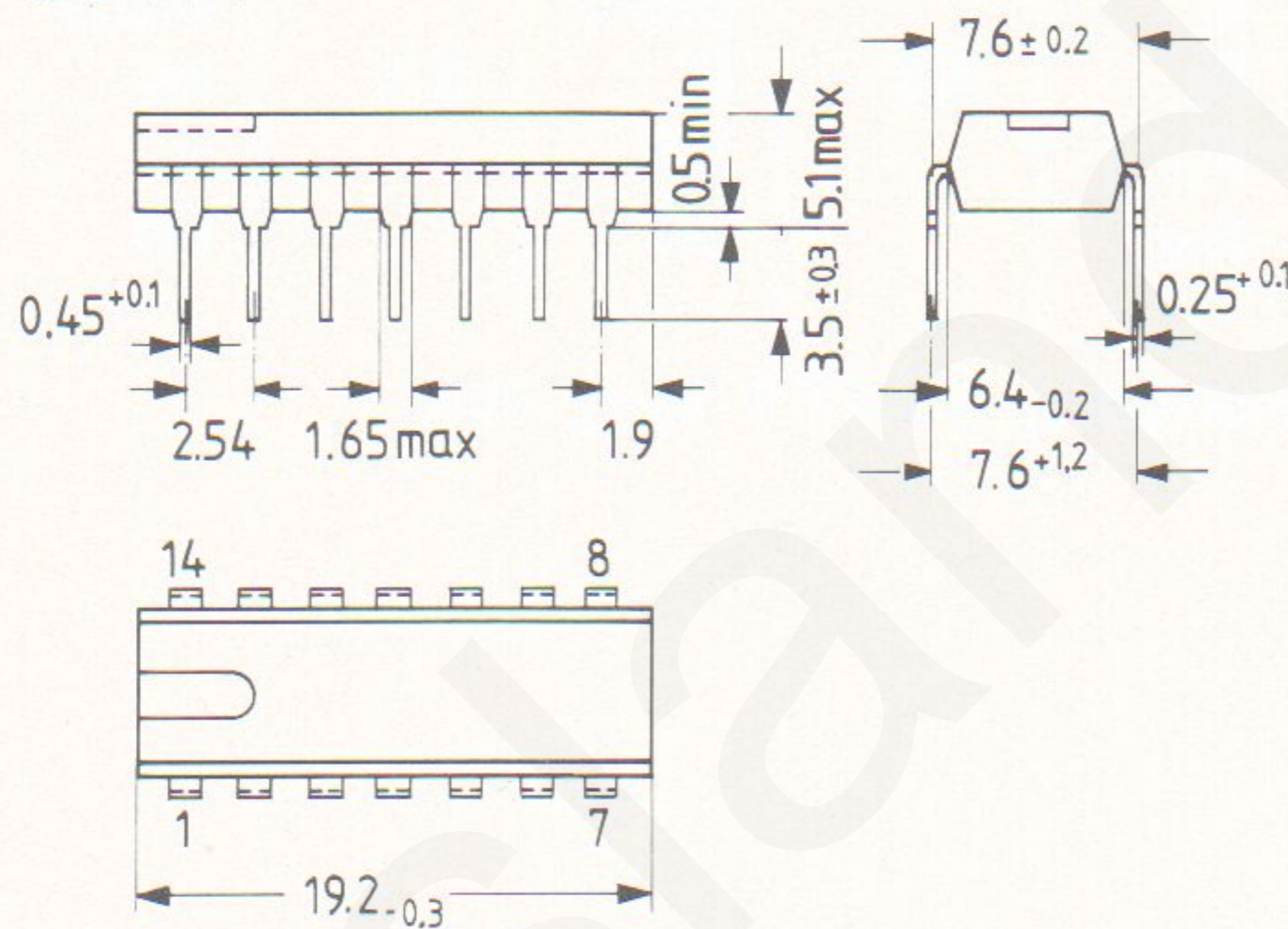
S 041 is a symmetrical, six-stage amplifier with symmetrical coincidence demodulator for the amplification, limiting and demodulation of frequency-modulated signals. S 041 is particularly suited for sets where low current consumption is of importance, or where major supply voltage fluctuations occur.

Pin connexions correspond to the well known TBA 120. However, pin 5 of S 041 P is not connected internally. The S 041 is especially suited for applications in narrow-band FM systems (455 kHz) and in usual FM IF systems (10.7 MHz).

- Good limiting properties
- Wide voltage range
- Low current consumption
- Few external components

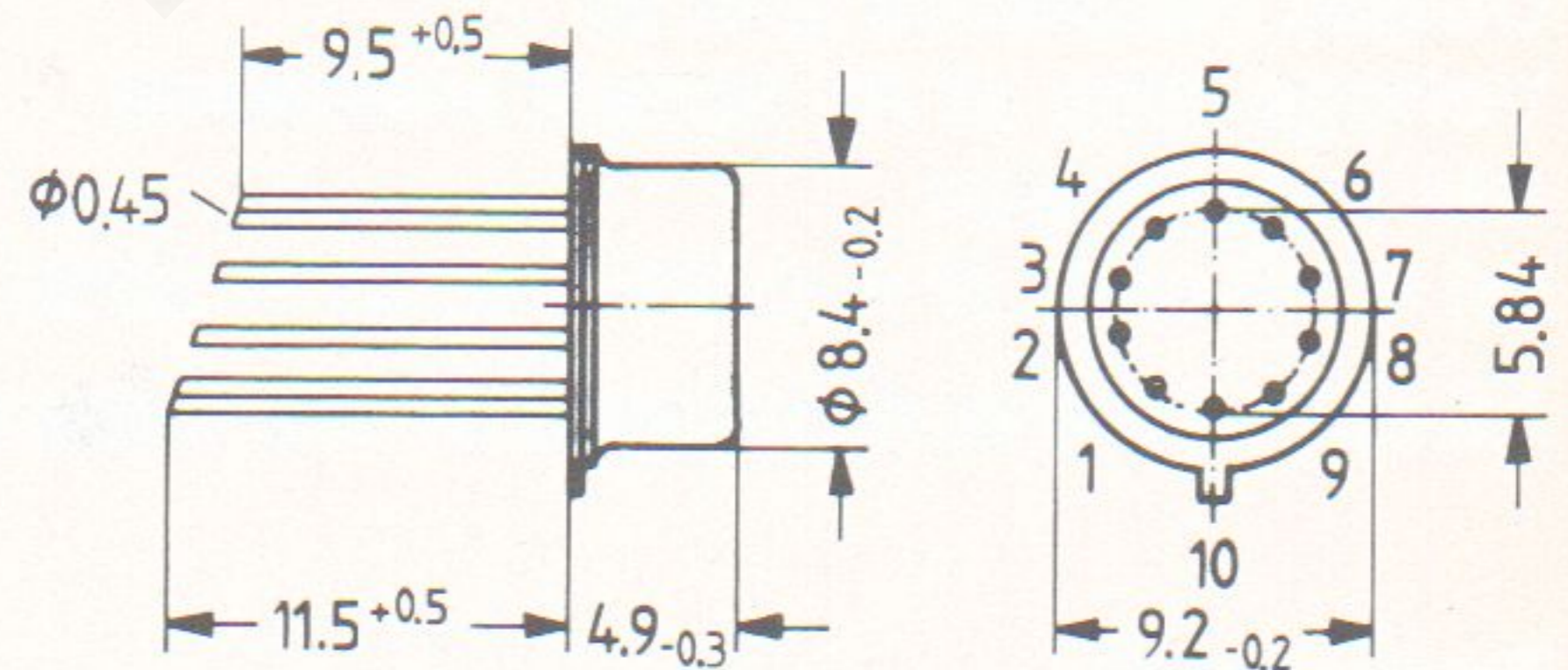
Type	Ordering code
S 041 P	Q67000-A529
S 041 E	Q67000-A694

S 041 P



Plastic plug-in package
20 A 14 DIN 41866
14 pins, dual-in-line
Weight approx. 1.1 g

S 041 E



Package 5 J 10 DIN 41873
(similar to TO 100)
Weight approx. 1.1 g
Dimensions in mm

Maximum ratings

Supply voltage		V_S	15	V
Storage temperature		T_S	-40 to +125	°C
Junction temperature		T_j	150	°C
Thermal resistance (system-air)	S 041 P	R_{thsamb}	90	K/W
	S 041 E	R_{thsamb}	190	K/W

Range of operation

Supply voltage	V_S	4 to 15	V
Frequency range	f_j	0 to 35	MHz
Ambient temperature in operation	T_{amb}	-25 to +85	°C